

Converter 24

Convert 24 Vdc to CC

Through this device it is possible to adjust the luminous brightness thanks to a command available on “CASAMBI APP”.

The driver also has a push button connection and can be used to control led lights.



RoHS
CE



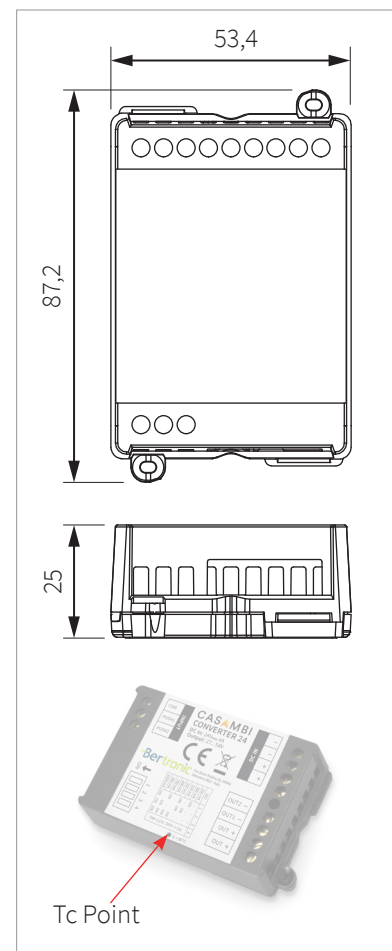
Download the free Casambi APP on APP STORE and GOOGLE PLAY

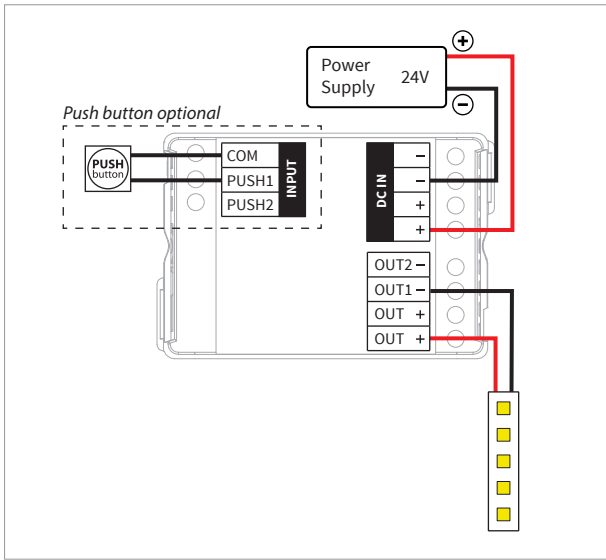
Technical Specification

Channels	max 2
Input voltage	24 Vdc +/-10% - 4 A
Max power	2 x 40 W (60 W in single channel)
Output voltage	min. 27 V max. 58 V
Electrical protection	Both polarity inversion and short circuits
Output current value selectable by dip-switch*	250 mA 300 mA 350 mA 500 mA 600 mA 700 mA 900 mA 1050 mA
Cross section (min-max)	0,75 mm ² - 1,5 mm ²
Insulation between DC IN/PUSH, DC IN/OUT and OUT/PUSH	Functional
Dimension	53,4 x 87,2x25 mm
Ta	-20° +45°
Tc	+80°

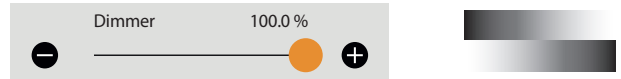
*Customizable output current from 100 to 1400 mA

Dimension





Installation: Single Channel



Output power

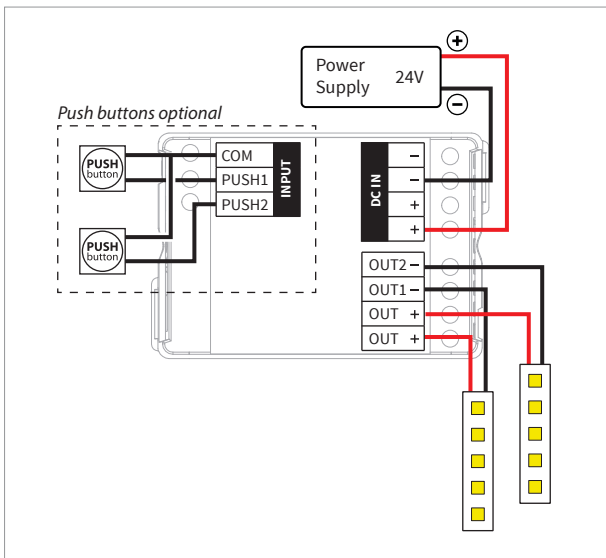
60 W

Output voltage

27 V - 58 V

Dip-switch setup

SEC	1	2	3	4
250 mA	-	-	-	OFF=1 CHANNEL
300 mA	ON	-	-	
350 mA	-	ON	-	
500 mA	ON	ON	-	
600 mA	-	-	ON	
700 mA	ON	-	ON	
900 mA	-	ON	ON	
1050 mA	ON	ON	ON	



Installation: Double Channel



Output power

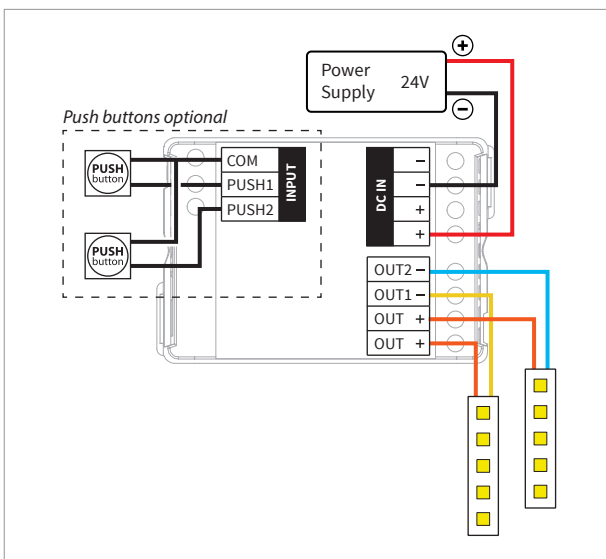
2 x 40 W

Output voltage

27 V - 58 V

Dip-switch setup

SEC	1	2	3	4
250 mA	-	-	-	ON=2 CHANNEL
300 mA	ON	-	-	
350 mA	-	ON	-	
500 mA	ON	ON	-	
600 mA	-	-	ON	
700 mA	ON	-	ON	
900 mA	-	ON	ON	
1050 mA	ON	ON	ON	



Installation: Tunable White



Output power

2 x 40 W

Output voltage

27 V - 58 V

Dip-switch setup

SEC	1	2	3	4
250 mA	-	-	-	ON= 2 CHANNEL
300 mA	ON	-	-	
350 mA	-	ON	-	
500 mA	ON	ON	-	
600 mA	-	-	ON	
700 mA	ON	-	ON	
900 mA	-	ON	ON	
1050 mA	ON	ON	ON	