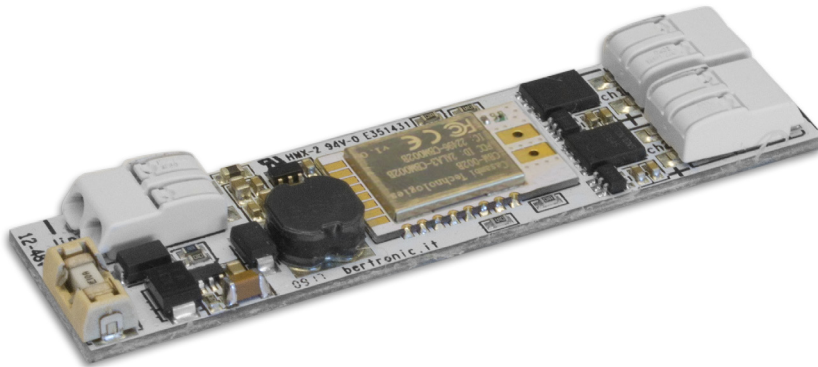


# Dimmer CASAMBI 2 CH

Through this device it is possible to adjust the luminous brightness thanks to a command available on “CASAMBI APP”



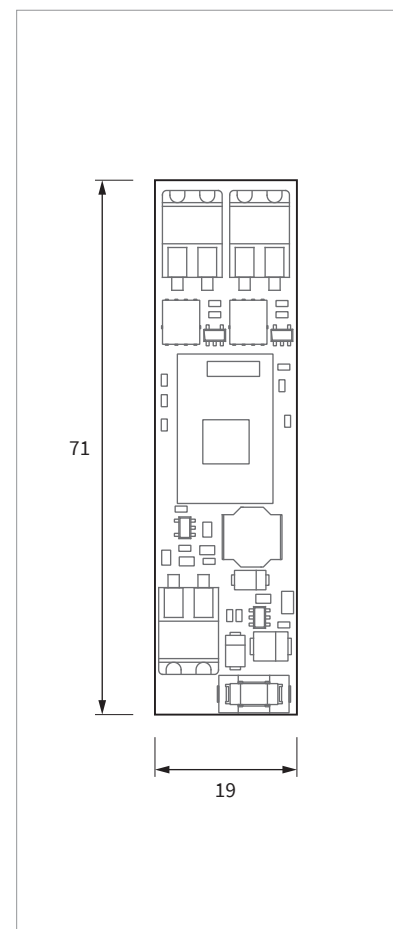
Download the free Casambi APP on APP STORE and GOOGLE PLAY

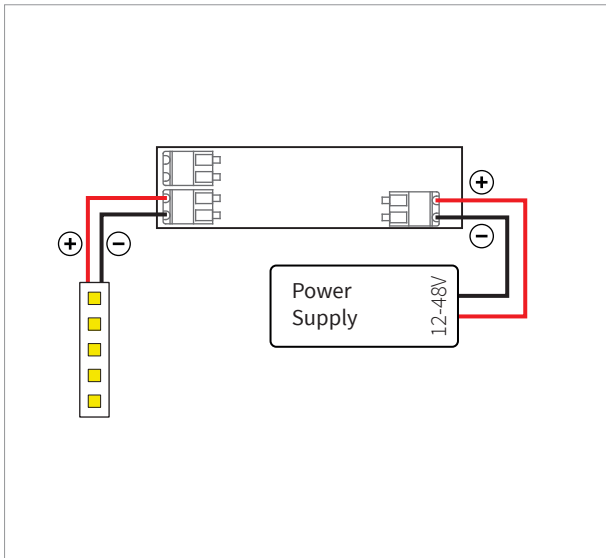
**RoHS** **CE**

## Technical Specification

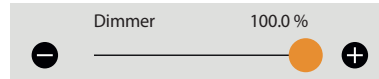
	Constant Voltage	
<b>Channels</b>	2	
<b>Supply voltage</b>	DC min 12 Vdc .. max 48 Vdc	
<b>Input current</b>	max 9 A	
<b>Output voltage</b>	= Vin	
<b>Output current</b>	max 9 A/ch	max 9 A total
<b>Nominal Power</b> <small>Maximum value, depends on the ventilation conditions.</small>	@12V 108 W max	@48V 432 W max
<b>D-PWM dimming frequency</b>	100 Hz	
<b>D-PWM resolution</b>	1000 step	
<b>Operating frequencies</b>	2,400...2,483 GHz	
<b>Maximum output power</b>	4dBm (60 mt open air)	
<b>Storage temperature</b>	min: -40 max: +60°C	
<b>Ambient temperature</b>	min: -10 max: +40°C	
<b>Protection grade</b>	IP20 (indoor use only)	
<b>Wiring</b>	0,2 - 0,75 mm <sup>2</sup> (24 to 18 AWG)	
<b>Dimension</b>	19x71x6 mm	
<b>Fixing</b>	Biadhesive	

## Dimension - Full scale 1:1





### Installation: Single Channel

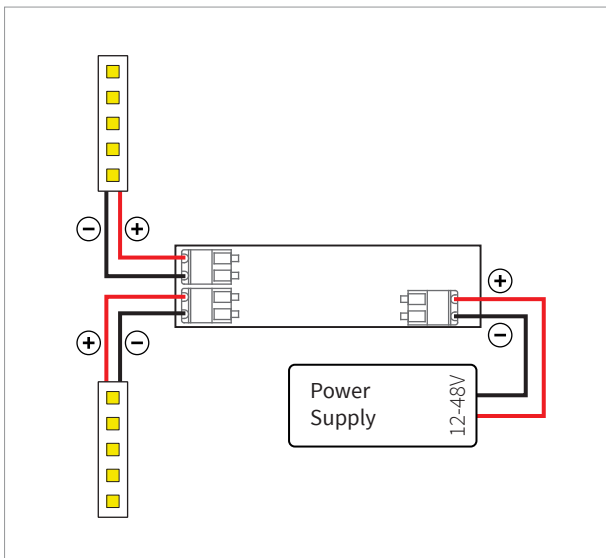


#### Output current

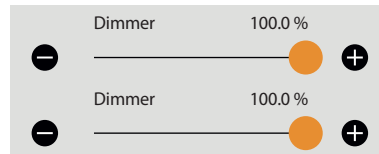
9A max

#### Nominal Power

@12V	@24V	@36V	@48V
108W max	216W max	324W max	432W max



### Installation: Double Channel

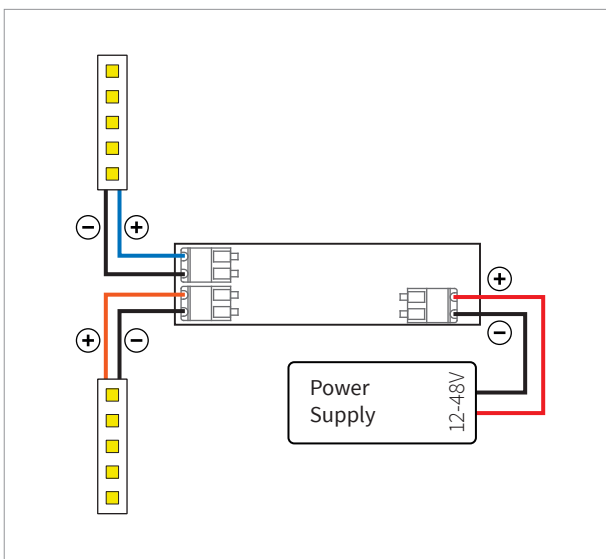


#### Output current

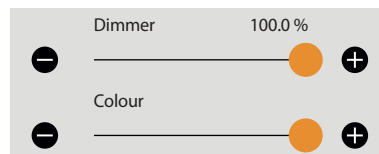
9A max | 4,5A/ch

#### Nominal Power

@12V	@24V	@36V	@48V
108W max	216W max	324W max	432W max



### Installation: Tunable White



#### Output current

9A max | 4,5A/ch

#### Nominal Power

@12V	@24V	@36V	@48V
108W max	216W max	324W max	432W max